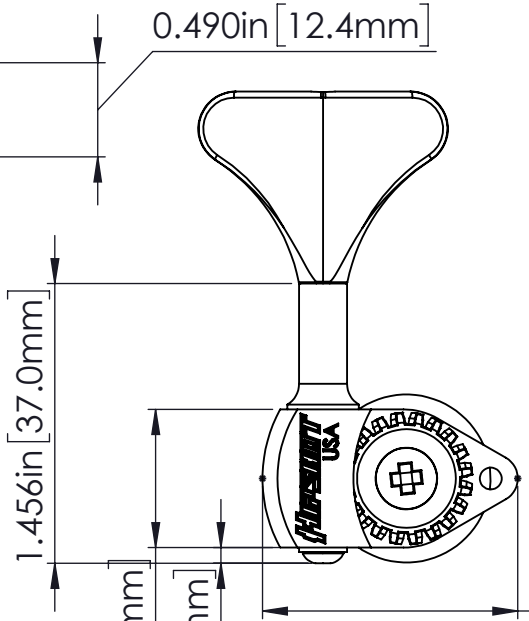
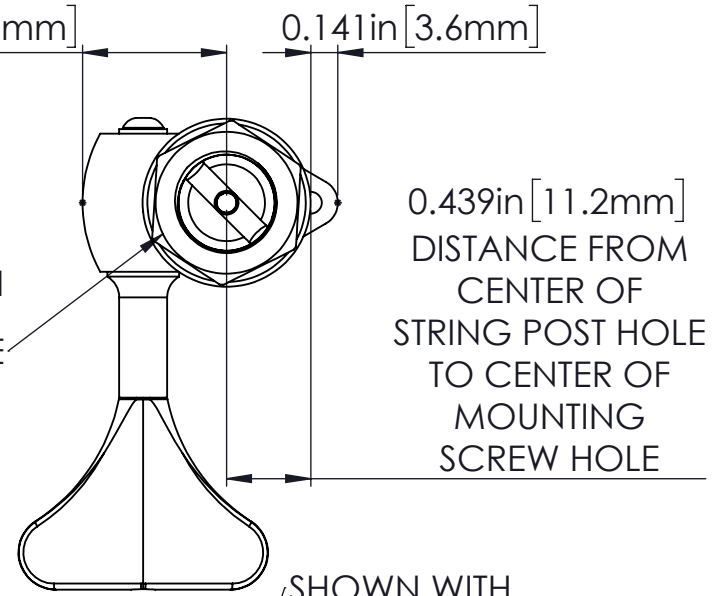


USE 3/4" SOCKET FOR NUT



COMPATIBLE WITH 11/16in [17.5mm] HEADSTOCK HOLE



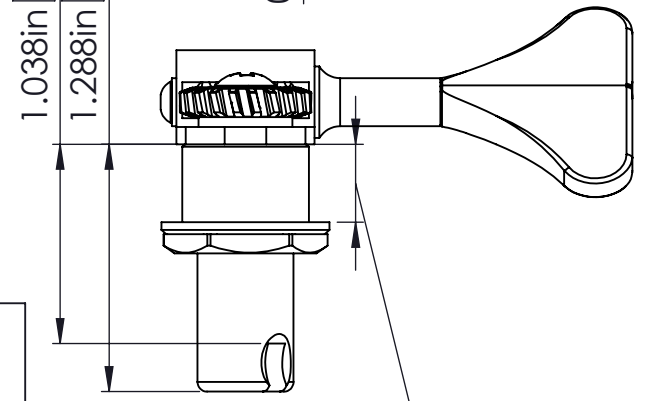
0.439in [11.2mm] DISTANCE FROM CENTER OF STRING POST HOLE TO CENTER OF MOUNTING SCREW HOLE

SHOWN WITH DEFAULT "Y" KEY STYLE. KEYS MADE AFTER 2021 ARE INTERCHANGEABLE. SEE KEY DIMS FOR DIMENSIONS

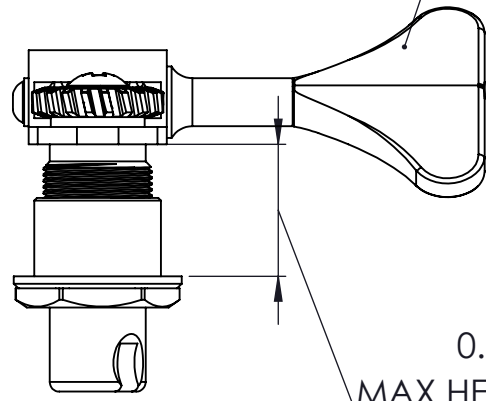
1.038in [26.4mm]
1.288in [32.7mm]

0.720in [18.3mm]
0.082in [2.1mm]

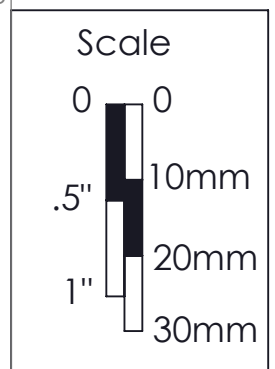
1.330in [33.8mm]



0.406in [10.3mm] MIN HEADSTOCK THICKNESS



0.688in [17.5mm] MAX HEADSTOCK THICKNESS



WEIGHT (WITH MOUNTING HARDWARE): 1.74oz [49g]

THIS DRAWING IS THE SOLE PROPERTY OF HIPSHOT PRODUCTS, INC. ALL RIGHTS ARE RESERVED. DIMENSIONS AND PRODUCT FEATURES MAY CHANGE WITHOUT NOTICE.

UNLESS OTHERWISE SPECIFIED: DIMENSIONS ARE IN INCHES TOLERANCE: ± .005

REV DATE: 2/15/2021

20655 ULTRALITE 1-2 Y KEY



8248 STATE ROUTE 96
Interlaken, NY 14847 U.S.A.
TEL:607-532-9404 FAX:607-532-9530
E-MAIL: info@HipshotProducts.com