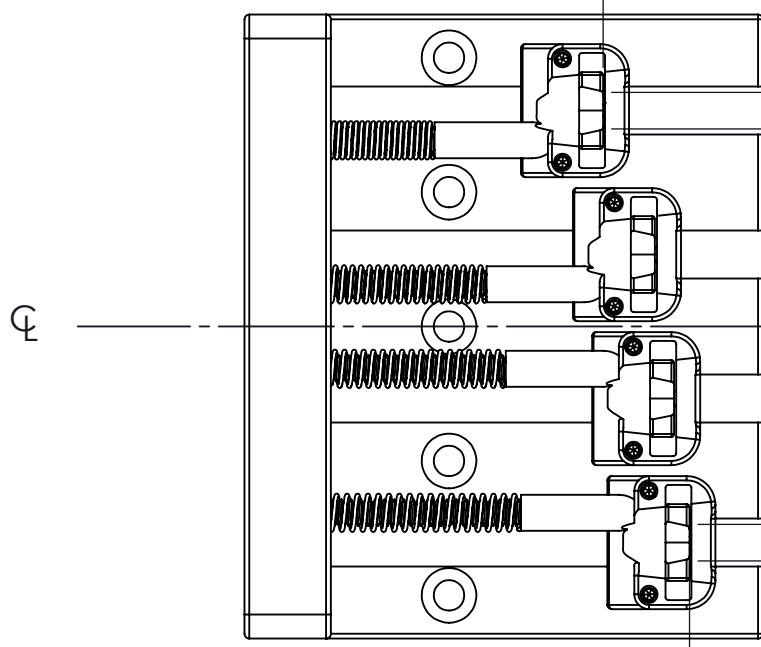


0.83in [21mm]  
(MAX INTONATION)

0.450in [11.4mm]

2.700in [68.6mm]



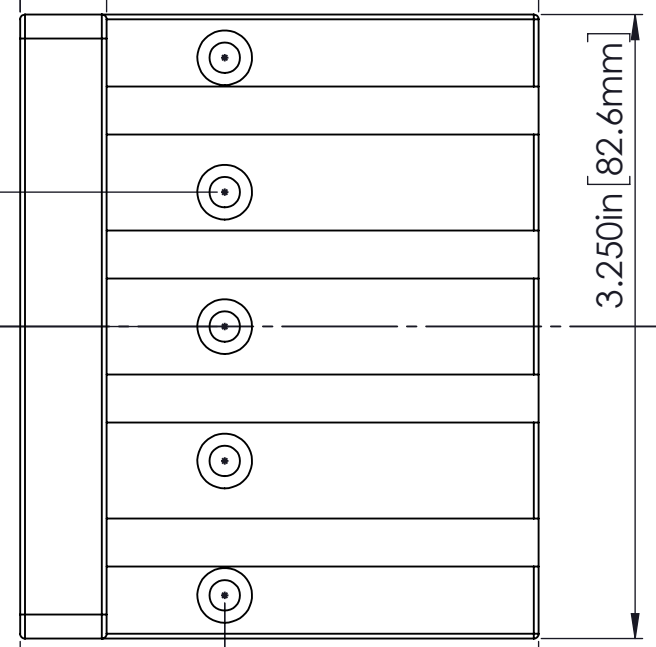
0.38in [10mm]  
(MIN INTONATION)

0.58in [15mm]  
(MAX STRING HEIGHT)

2.06in [52mm]  
(MIN STRING SPACING)

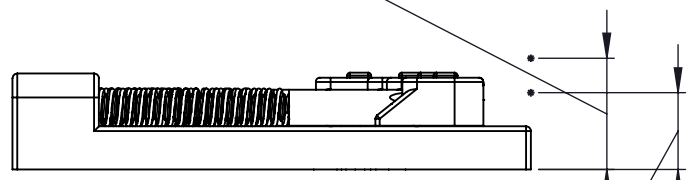
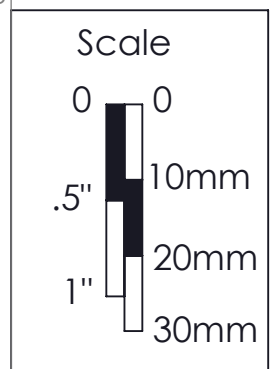
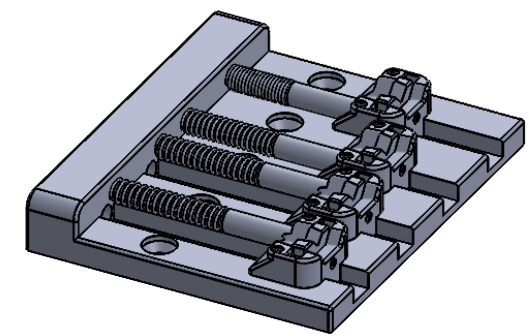
2.44in [62mm]  
(MAX STRING SPACING)

0.700in [17.8mm]  
(MOUNT HOLE SPACING)



1.635in [41.5mm]

1.065in [27.1mm]



0.40in [10mm]  
(MIN STRING HEIGHT)

WEIGHT (WITH MOUNTING HARDWARE): 8.7oz [247g]

THIS DRAWING IS THE SOLE PROPERTY OF HIPSHOT PRODUCTS, INC. ALL RIGHTS ARE RESERVED. DIMENSIONS AND PRODUCT FEATURES MAY CHANGE WITHOUT NOTICE.

UNLESS OTHERWISE SPECIFIED: DIMENSIONS ARE IN INCHES TOLERANCE: ± .005

REV DATE: 12/29/2021

### 5K400 4 STG KICKASS BASS BRIDGE DIMENSIONS



8248 STATE ROUTE 96  
Interlaken, NY 14847 U.S.A.  
TEL: 607-532-9404 FAX: 607-532-9530  
E-MAIL: info@hipshotproducts.com