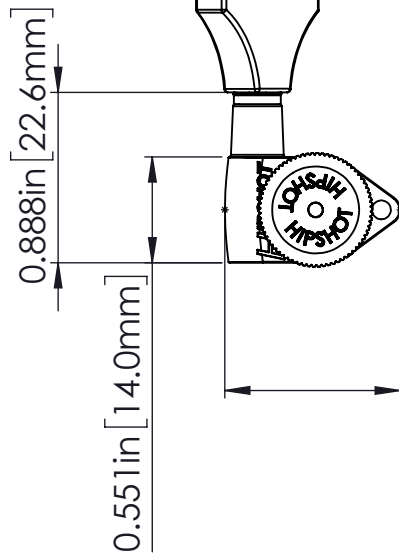
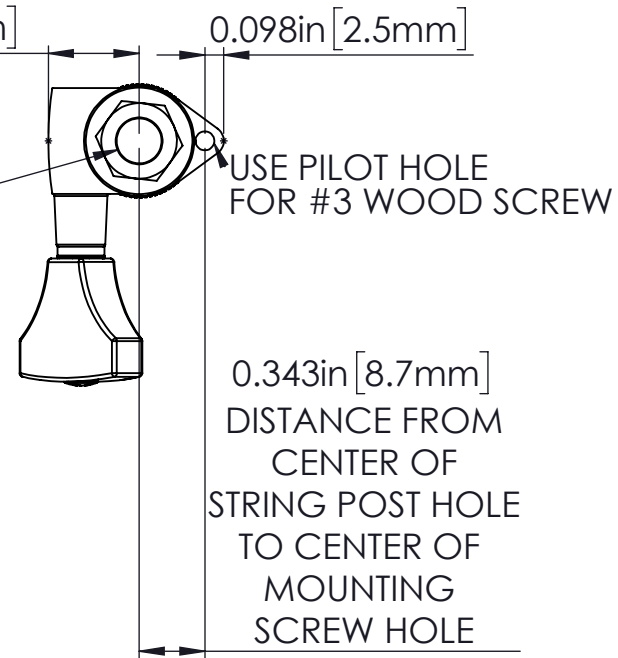


USE 10MM SOCKET FOR REACH NUT

STARTING IN 2021 ALL STRING POST LENGTHS ARE INDICATED ON TUNER SHANK.

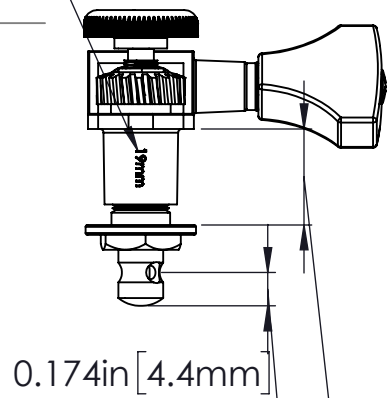


COMPATIBLE WITH 13/32in [10mm] STRING POST HOLE

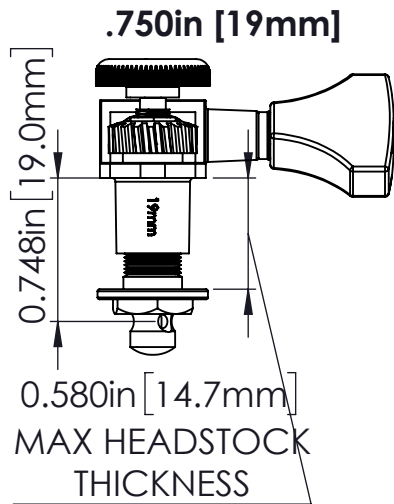


USE PILOT HOLE FOR #3 WOOD SCREW

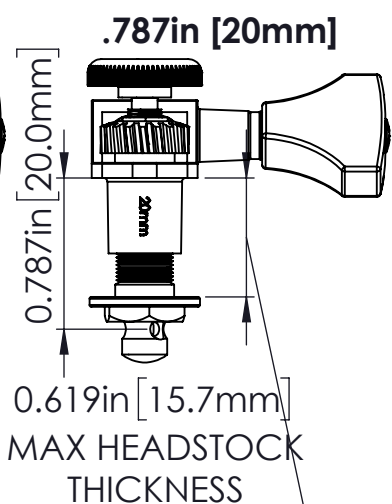
0.343in [8.7mm] DISTANCE FROM CENTER OF STRING POST HOLE TO CENTER OF MOUNTING SCREW HOLE



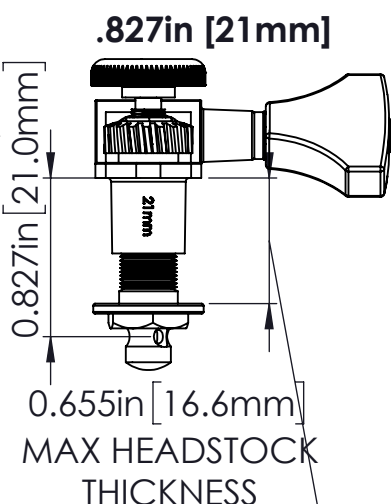
0.174in [4.4mm]



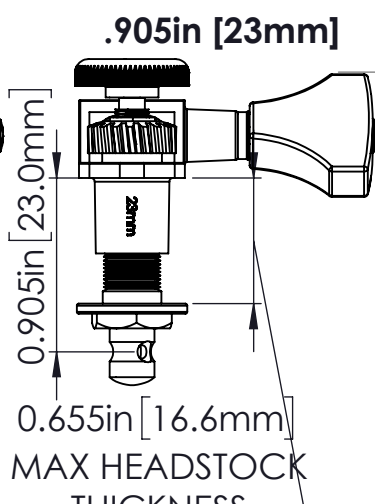
0.580in [14.7mm] MAX HEADSTOCK THICKNESS



0.619in [15.7mm] MAX HEADSTOCK THICKNESS



0.655in [16.6mm] MAX HEADSTOCK THICKNESS



0.655in [16.6mm] MAX HEADSTOCK THICKNESS

0.500in [12.7mm] MIN HEADSTOCK THICKNESS (SAME FOR ALL TUNERS)

**Universal Mount Plate adds 1mm to headstock thickness.*

WEIGHT (WITH MOUNTING HARDWARE): 1.23oz [34.8g]

THIS DRAWING IS THE SOLE PROPERTY OF HIPSHOT PRODUCTS, INC. ALL RIGHTS ARE RESERVED. DIMENSIONS AND PRODUCT FEATURES MAY CHANGE WITHOUT NOTICE.

UNLESS OTHERWISE SPECIFIED: DIMENSIONS ARE IN INCHES TOLERANCE: ± .005

REV DATE: 10/3/2020

6GL0 GRIP-LOCK OPEN DIMENSIONS



8248 STATE ROUTE 96
Interlaken, NY 14847 U.S.A.
TEL: 607-532-9404 FAX: 607-532-9530
E-MAIL: info@HipsHOTProducts.com