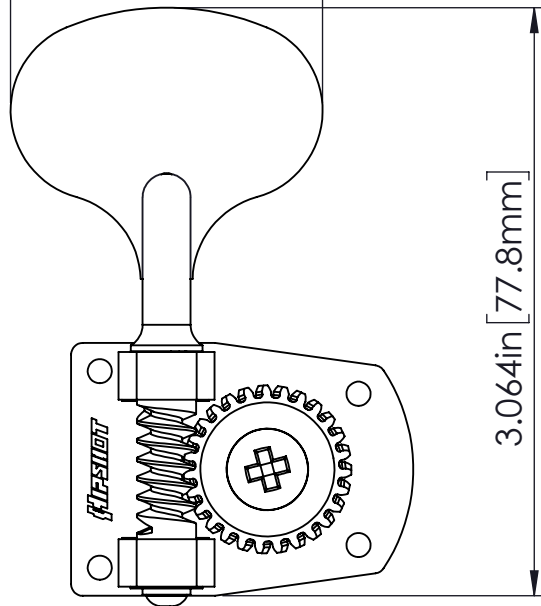


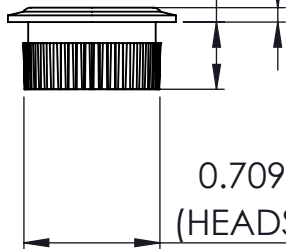
1.625in [41.3mm]



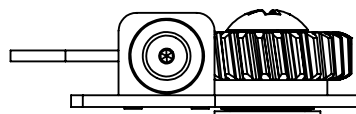
3.064in [77.8mm]

0.350in [8.9mm]

0.075in [1.9mm]



0.709in [18.0mm]
(HEADSTOCK HOLE)



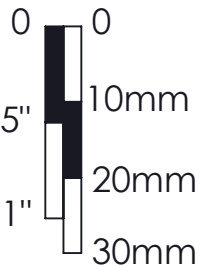
0.936in [23.8mm]

1.211in [30.8mm]

0.551in [14.0mm]

WEIGHT (WITH MOUNTING HARDWARE): 3.0oz [85g]

Scale

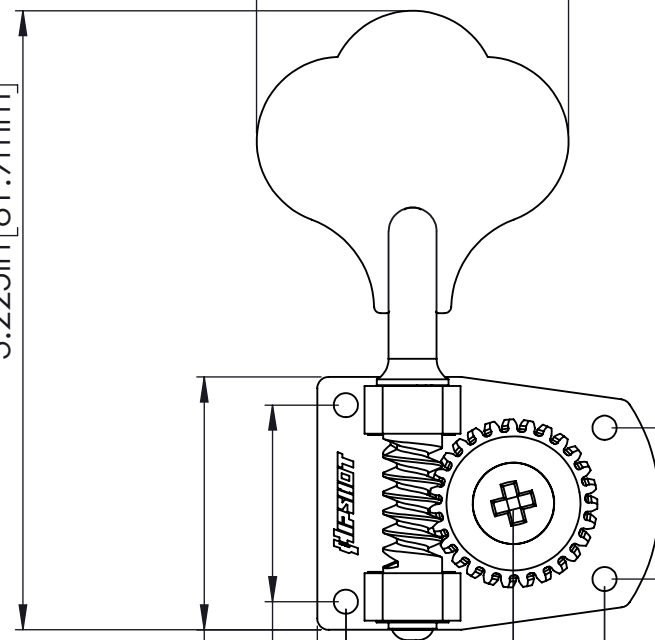


2

1.625in [41.3mm]

3.225in [81.9mm]

0.788in [20.0mm]



1.782in [45.3mm]

1.348in [34.2mm]

1.317in [33.5mm]

1.024in [26.0mm]

0.873in [22.2mm]

0.475in [12.1mm]

THIS DRAWING IS THE SOLE PROPERTY OF HIPSHOT PRODUCTS, INC. ALL RIGHTS ARE RESERVED. DIMENSIONS AND PRODUCT FEATURES MAY CHANGE WITHOUT NOTICE.

UNLESS OTHERWISE SPECIFIED: DIMENSIONS ARE IN INCHES TOLERANCE: ± .005

REV DATE: 12/19/2020

20710 HB7 BASS TUNING MACHINE DIMENSIONS



8248 STATE ROUTE 96

Interlaken, NY 14847 U.S.A.

TEL:607-532-9404 FAX:607-532-9530

E-MAIL: info@HipshotProducts.com